

New

B-Flex™

**Flexible double wall
for easy B-Vent
pipe fitting.**

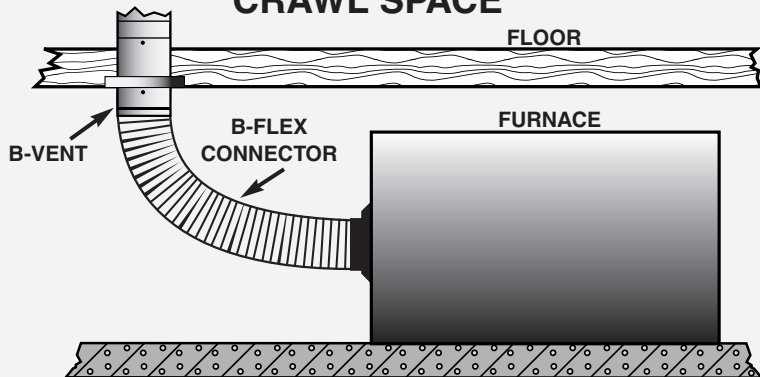


Listed



Metal-Fab's Double Wall B-Flex™ can be used as a connector or as a segment of B-Vent in a variety of installations.

USED IN CRAWL SPACE

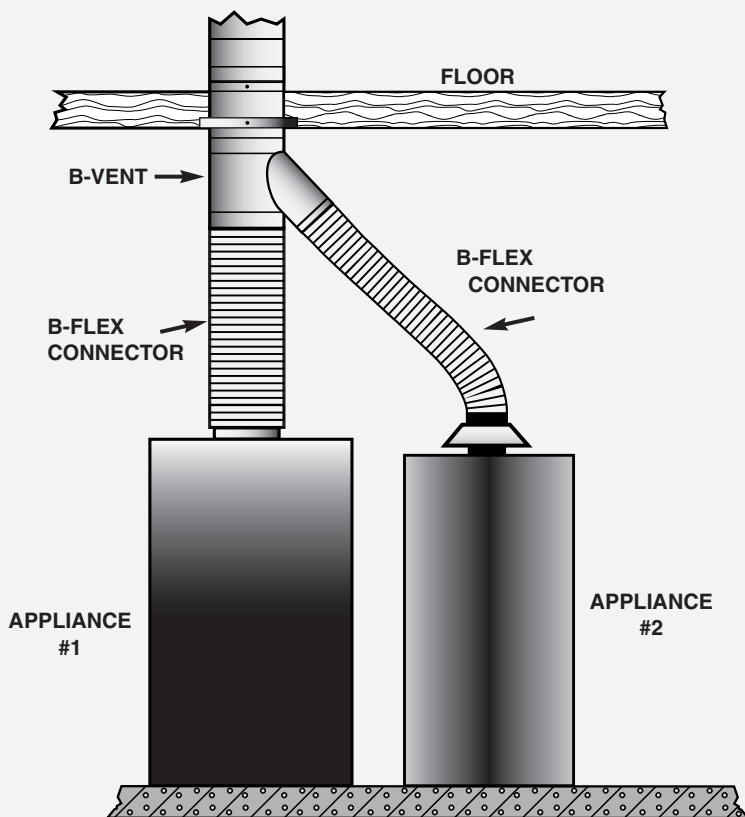


Easily connect furnace located in a crawl space to rigid B-Vent penetration.

Applications

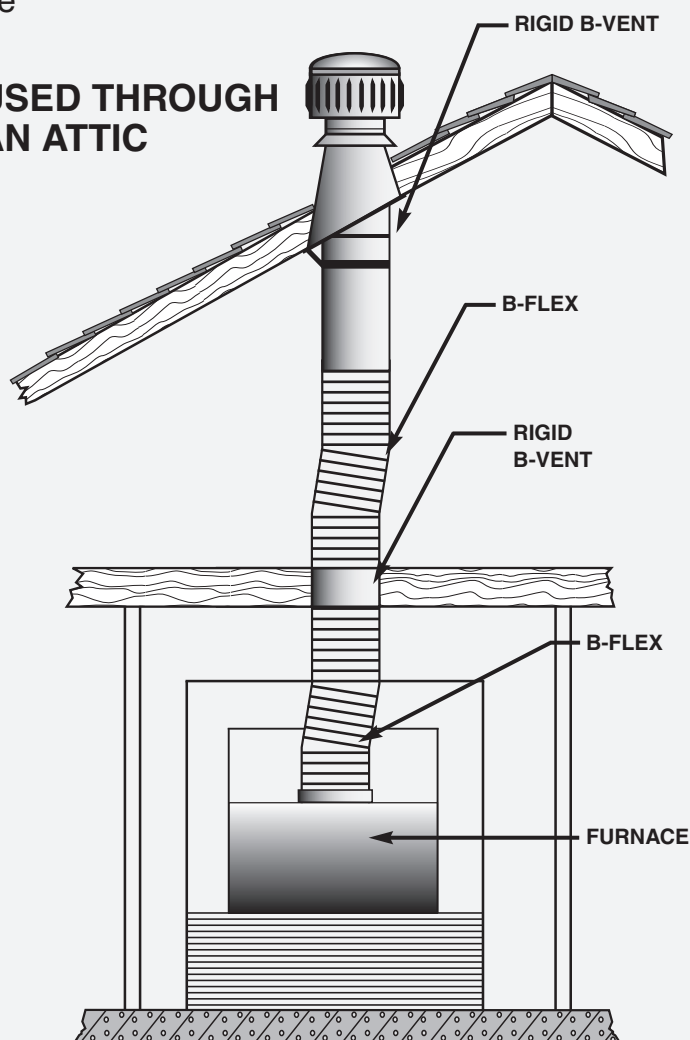
Use B-Flex™ anywhere B-Vent is required, except where pipe penetrates the structure; walls, floors, ceilings, roof.

USED AS CONNECTOR



Make direct connection from one or both appliances to common B-Vent.

USED THROUGH AN ATTIC



Easily connect furnace to termination on conventional installations.

Double wall versatility, flexible advantages.

Quick & Easy

B-Flex™ eliminates measuring, special adapters and assembly of rigid pipe.



Savings

Saves time and labor, a universal solution to connecting appliances to rigid B-Vent.

Convenient

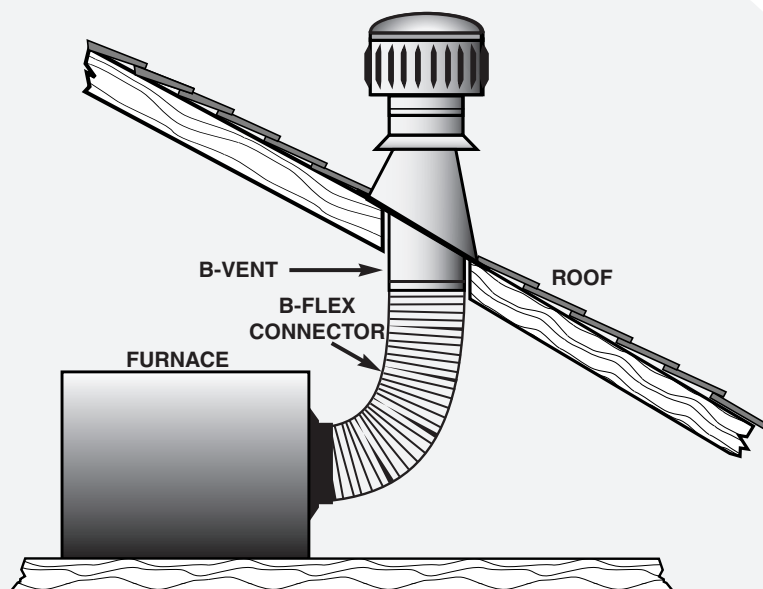
Ready to install right out of the box with factory assembled male and female twist-lock ends, and available in 2'-5' lengths.

Adaptable

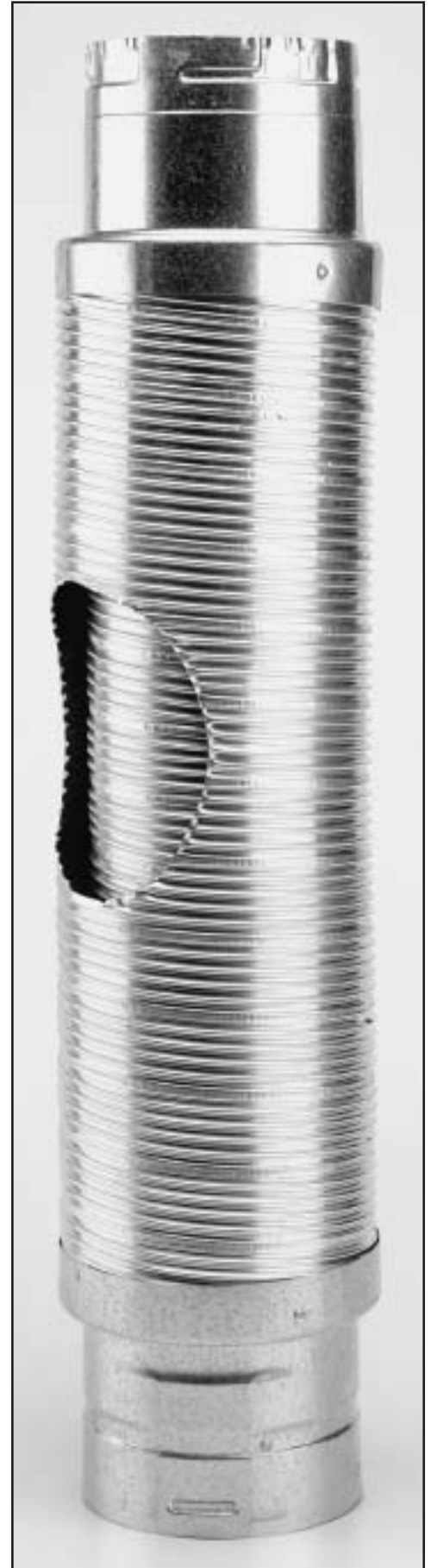
Can be used with other specifically identified and UL Listed round gas vent 3" through 5" diameters.*

- Double-wall construction
- Twist-lock design – Metal-Fab original
- Factory-assembled fittings on both ends
- Pipe design provides maximum flex without kinking

USED IN ATTIC



Make quick connection from attic furnace to rigid



Available in sizes to meet your needs.

AVAILABLE IN 3", 4", 5" DIAMETERS 2', 3', 4', 5' LENGTHS

STOCK NO.	DESCRIPTION
MDWF0302	3" DIA. x 2' LENGTH
MDWF0303	3" DIA. x 3' LENGTH
MDWF0304	3" DIA. x 4' LENGTH
MDWF0305	3" DIA. x 5' LENGTH

MDWF0402	4" DIA. x 2' LENGTH
MDWF0403	4" DIA. x 3' LENGTH
MDWF0404	4" DIA. x 4' LENGTH
MDWF0405	4" DIA. x 5' LENGTH

MDWF0502	5" DIA. x 2' LENGTH
MDWF0503	5" DIA. x 3' LENGTH
MDWF0504	5" DIA. x 4' LENGTH
MDWF0505	5" DIA. x 5' LENGTH



UL Listed for use as connection from appliance to rigid Type-B Gas Vent, and as a segment of B-Vent.

*Metal-Fab's approval covers connections at both the male (outlet) end, and the female (inlet) end to the following B-Vent products:

General Products Co., Inc.	(Airjet)
American Metal Products Co.	(Amerivent)
Hart & Cooley	(Metlvent)
Household Manufacturing Inc.	(Metalbestos & Airmate)
Mitchell Metal Products Inc.	(Mitchvent)
Selkirk Metalbestos	(Metalbestos)
Simpson Dura-Vent Inc.	(Duravent)
ECCO Heating Products	(ECCO Manufacturing)

At the male (outlet) end of compatible gas vent, add an adapter or adjustable length (M6A, M12A, or M18A) – then add sections of Metal-Fab pipe. At the female (inlet) end of compatible gas vent, simply insert the male end of Metal-Fab B-Vent into the compatible gas vent and secure per instructions.

800-835-2830



P.O. BOX 1138 • WICHITA, KANSAS 67201
(316) 943-2351 • FAX (316) 943-2717

e-mail: info@metal-fabinc.com • www.metal-fabinc.com